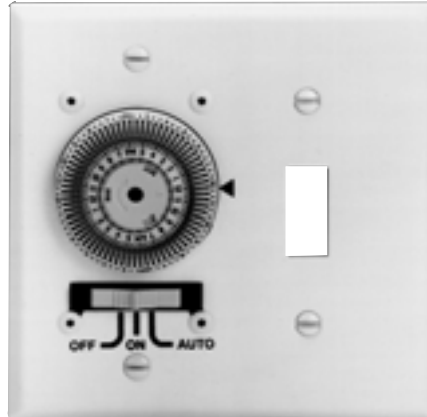


Wall Box Timer



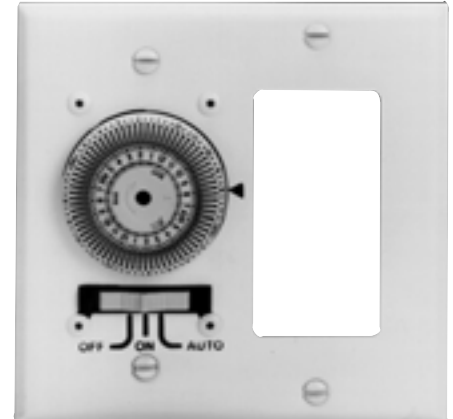
WB101

Timer with white wall plate-
Single gang



WB102

Timer with white wall plate-
2-gang with toggle opening



WB103

Timer with white wall plate-
2-gang with decorator opening

Installation & Operating Instructions

1. Turn power OFF at circuit breaker or fuse panel.
2. Attach wires with wirenuts (wirenuts not provided). Refer to illustration in wiring diagram section.
3. Insert prewired timer with wall plate into standard wall box 2-1/2" deep.
4. Fasten timer to wall box using two screws provided.
5. Restore power.

Programming Instructions

The timer dial contains 72 "trippers" which, when set at the inner perimeter of the dial, will turn the switch "ON" at the time adjacent to the tripper. The switch will return to the "OFF" position when the timer progresses past the inward trippers.

The 72 trippers allow multiple on/off sequences with a minimum on or off time of 20 minutes. To program, set all trippers inward for the duration of the ON event.

For example, to turn lights on at 5:00 pm and off at 11:00 pm, leave the 18 trippers inward between 5 and 11 on the "pm" side of the dial. Make sure manual switch is in the "AUTO" position.

NOTE: For any times where "OFF" programming is desired, the trippers must be moved to the outer perimeter of the dial.

Setting The Time

Rotate the dial clockwise until the correct time and "am" or "pm" is opposite the arrow on the plate.

CAUTION: Do not turn dial counter-clockwise, as the timer will be damaged.

Manual Operation

The slide switch provides manual operation of the load, overriding the timer. Set to the "OFF" position, the load will be continuously OFF, and if set to "ON", it will be continuously ON. For automatic timed ON and OFF, the switch must be in the "AUTO" position.



Maple Chase Company
2820 Thatcher Road
Downers Grove, Illinois 60515

Telephone + 1 630 719 5500
Facsimile + 1 630 719 4400

ISO 9002 registered

110-727



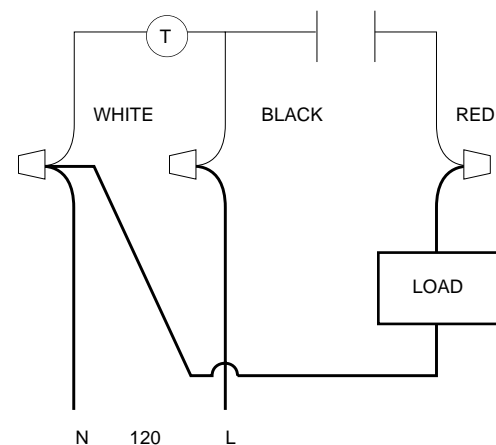
A Siebe Group Company

Electrical Specifications

Contacts: SPST
20A@120VAC, 60 Hz
2400 W Resistive
8A Inductive
1350 W. Tungsten
1 Hp @ 120 VAC

Note: Installation by a licensed electrician is recommended. Installation and use of this equipment should be in accordance with provisions of the U.S. National Electrical Code, applicable local codes and pertinent industry standards.

Wiring Diagram



Environmental Ratings

Operating temperature range:
-40°F (-40°C) to 180°F (85°C)

95% RH non-condensing

The Paragon programmable wall box time control should be mounted indoors in an area that is free of excessive contaminants such as oil, grease, dirt, etc.