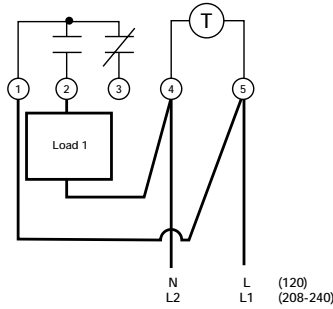
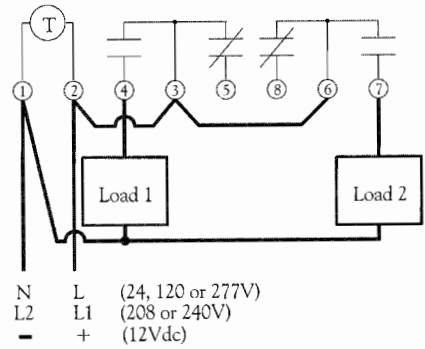


9
Tri-Timers
EL7100



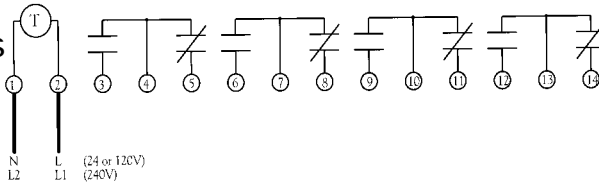
1-channel control

10
Tri-Timers
EC72D



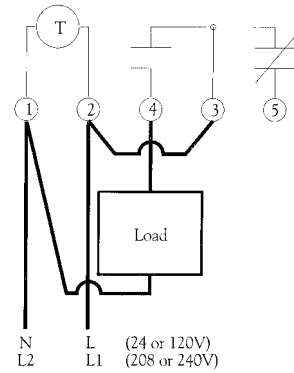
N L (24, 120 or 277V)
L2 L1 (208 or 240V)
- + (12Vdc)

11
Tri-Timers
EC74/50S



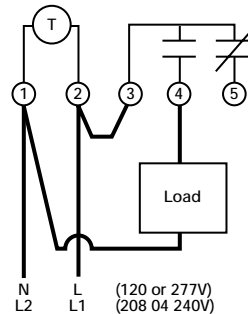
N L (24 or 120V)
L2 L1 (240V)

12
Tri-Timers or
Double Duty
Clocks
EC71D/18S
OR
EC71D/30S



N L (24 or 120V)
L2 L1 (208 or 240V)

13
Double Duty
Clocks
EC7000

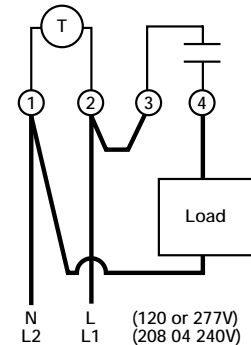


N L (120 or 277V)
L2 L1 (208 04 240V)

SPDT

14
Double Duty Clocks
EC7000

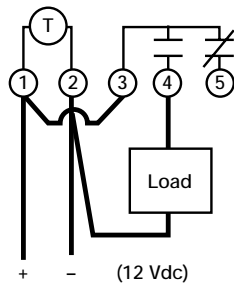
Traditional Time Pieces
24 Hour Timers
EC4000



N L (120 or 277V)
L2 L1 (208 04 240V)

SPST

15
Double Duty
Clocks
EC7000

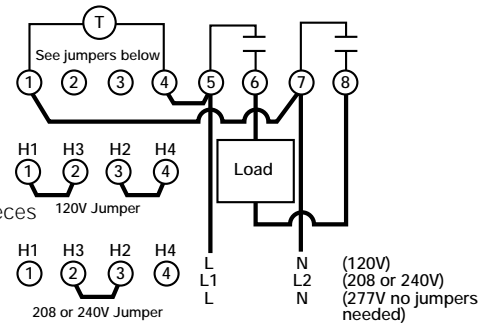


+ - (12 Vdc)

SPDT

16
Double Duty
Clocks
EC7000

Traditional Time Pieces
24 Hour Timers
EC4000



See jumpers below
H1 H3 H2 H4
1 2 3 4
120V Jumper
H1 H3 H2 H4
1 2 3 4
208 or 240V Jumper
L L1 L
N L2 N (120V)
N (208 or 240V)
N (277V no jumpers needed)

DPST