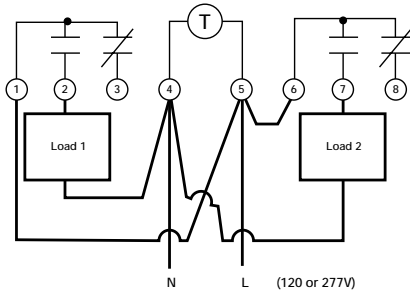
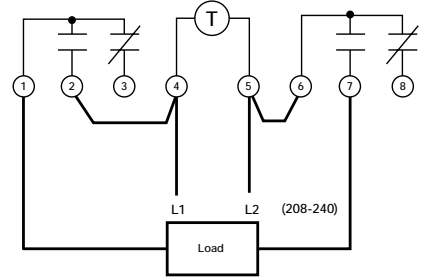


1
Quad Controls
EL71



1-channel control
(Switching 2 loads with identical schedules)

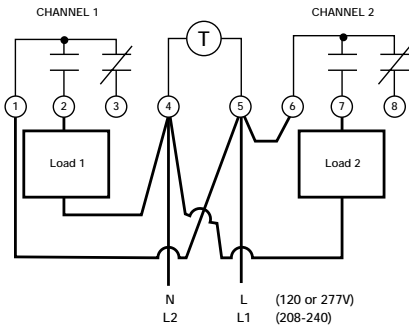
2
Quad Controls
EL71



(Switching both sides of line)

3
Quad Controls
EL72

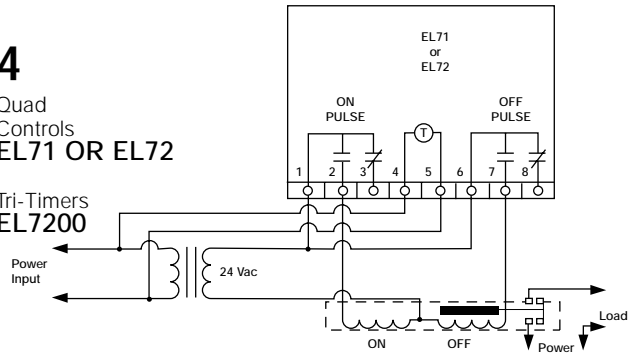
Tri-Timers
EL7200



2-channel control

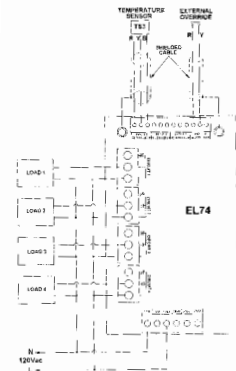
4
Quad Controls
EL71 OR EL72

Tri-Timers
EL7200



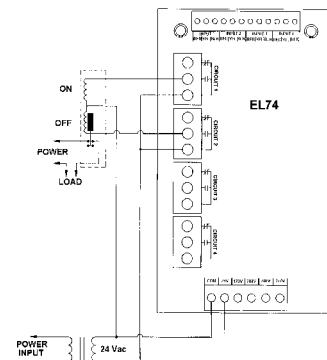
Typical wiring diagram for controlling latching relays
(Momentary contacts)

5
Quad Controls
EL74



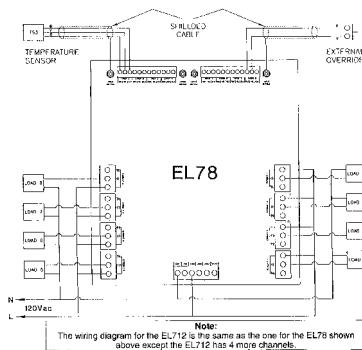
Typical wiring diagram for maintained contacts

6
Quad Controls
EL74



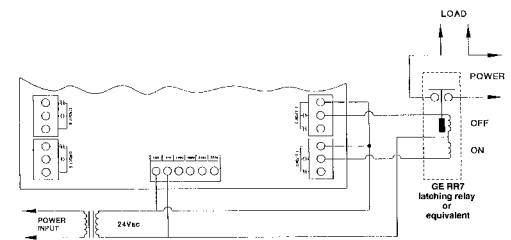
Typical wiring diagram for controlling latching relays
(Momentary contacts)

7
Quad Controls
EL78 OR
EL712



Typical wiring diagram for maintained contacts
(NOTE: The wiring diagram for the EL712 is the same as the one for the EL78 except the EL712 has 4 more channels)

8
Quad Controls
EL78 OR
EL712



Typical wiring diagram for controlling latching relays
(Momentary contacts)