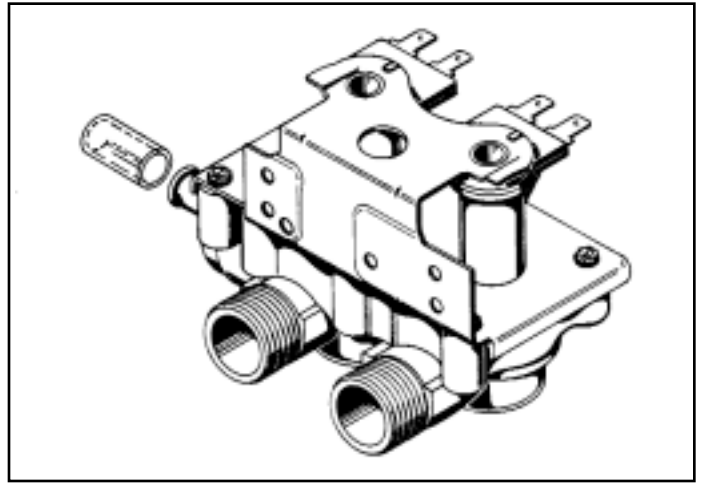


CLOTHESWASHER VALVES

Robertshaw makes several different models of **Clotheswasher Valves** which were created for use as mixing valves, including dual pilot operated valves in a common compact body. Their unique diaphragm design reduces the possibility of foreign materials entering the armature area.

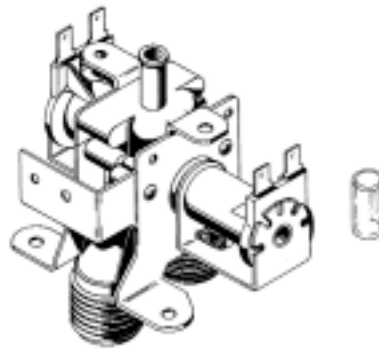
The nylon encapsulated coil on these valves provides high mechanical and di-electric strength, and is moisture resistant. Many valves are shipped with a guide tube which eliminates corrosion and reduces noise for a quieter valve.

Most laundry mixing valves have polypro bodies which will withstand water temperatures of up to 160°F, and operate at pressures between 10 PSI and 120 PSI. The specs chart at the end of this section shows the different inlet and outlet configurations, electrical ratings, flow rates and other details.

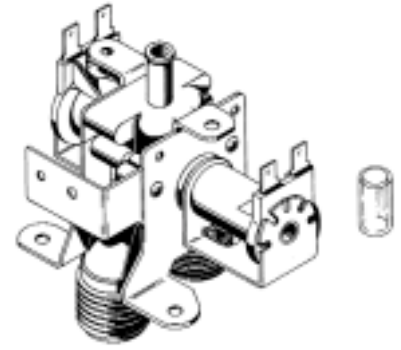


CROSS-REFERENCE

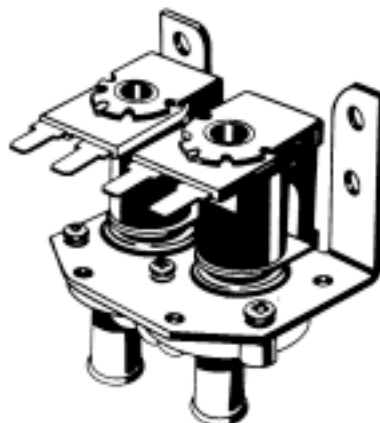
UNI-LINE ORDER NO.	REPLACES
CW-10	Franklin C66788-1
	Frigidaire 5300028947
	Frigidaire 5308005498
	Frigidaire 633632
	Frigidaire 6591855
	Frigidaire 7527051
	Frigidaire 8005498
	GE Service WH00X0583
	GE Service WH13X0055
	GE Service WH13X0057
	GE Services WH13X0077
	Gen. Electric 109B-4201-G01
	Gen. Electric 905C-0045-G01
	Norge 33-0262
	Norge 33-3407
	Norge 33-7713
	Westinghouse Q-028947
	Westinghouse Q-094221
Westinghouse Q-115383	
Westinghouse Q-115384	
Westinghouse Q-148121	
Westinghouse Q-153341	
Whirlpool 86793	
Whirlpool 290261	
CW-43	Dexter 9379-183-001
CW-44	Dexter 9379-183-002



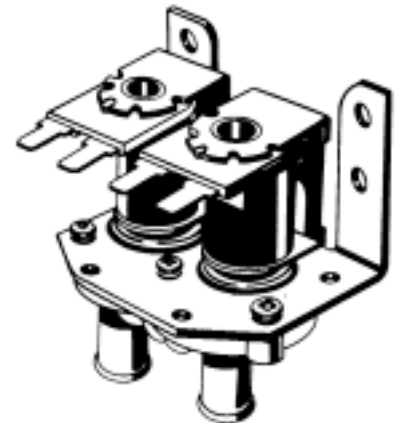
CW-10



CW-12



CW-43



CW-44