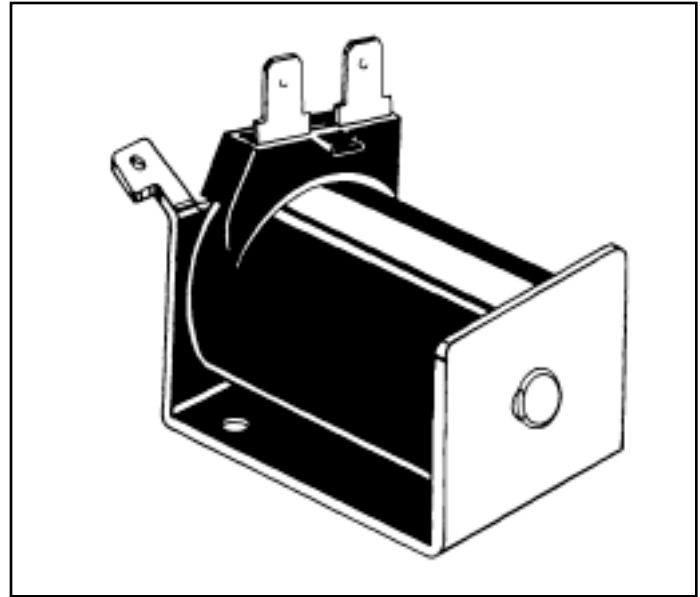


# DRAIN SOLENOID

The Robertshaw DS-200 Drain Solenoid is used to actuate the drain flap-per mechanism of the dishwasher pump. This coil is encapsulated with a thermostat material which can be used in a maximum temperature environment of 221°F (105°C). The DS-200 is rated at 120V, 60Hz, 54W.

## ORDERING DATA

UNI-LINE ORDER NO.	REPLACES
DS-200	GE Service WD21X0363 GE Service WD21X0374 GE Service WD21X0440 Gen. Electric 146C-1840-P04 Gen. Electric 146C-1840-P05



## DIMENSIONS

