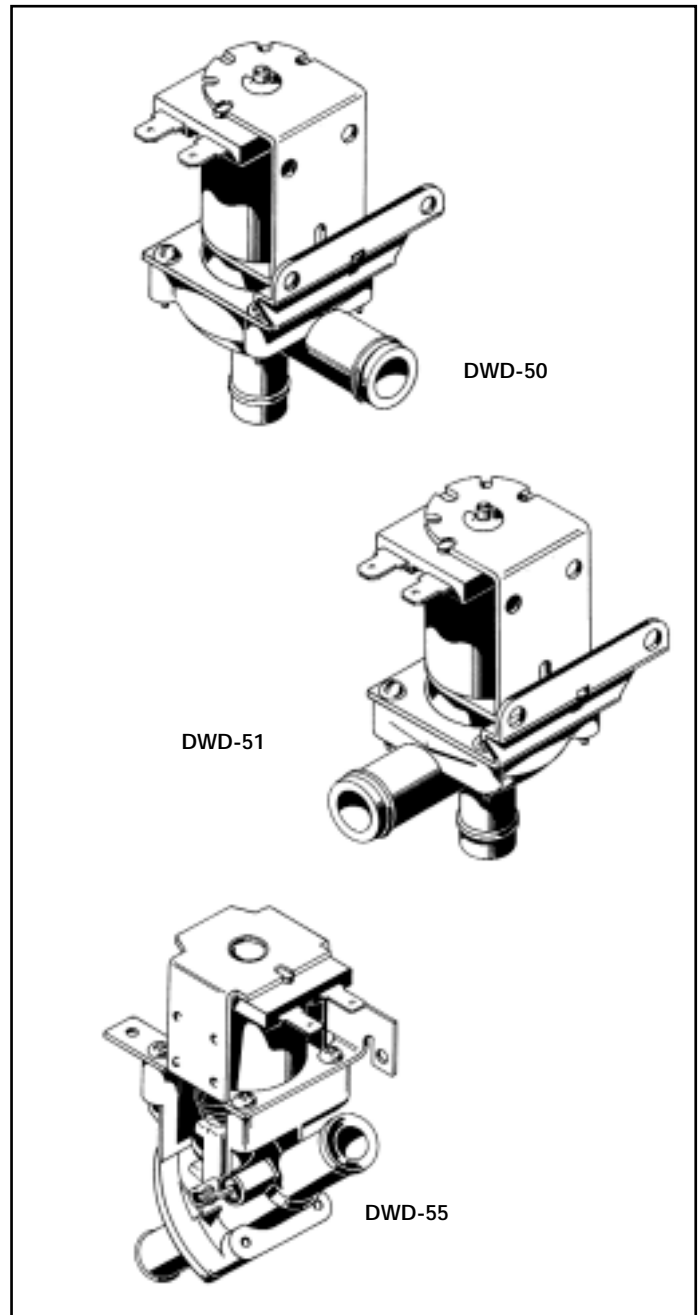


# DRAIN VALVES

Robertshaw dishwasher Drain Valves are ideal for use in automatic dishwashers because they are capable of handling large particles in the fluids. The way the valve body is configured prevents foreign material from interfering with the drain function. These direct-acting solenoid valves provide high flow at low head pressure. The encapsulated coil provides high mechanical and di-electric strength, and is moisture resistant. The bodies are made of Polypro and are suitable for applications using liquids up to 160°F. There are two drain valve models available. DWD-50 and DWD-51 are S/50 models and DWD-55 is a model S/55. Aside from their appearance, there are several functional differences between these models.

## CROSS-REFERENCE

UNI-LINE ORDER NO.	REPLACES
DWD-50	Hobart A-102499 Hobart R-81490-1 Wh. Service 4160544
DWD-51	Hobart A-108898 Hobart A-115391 Wh. Service 4160868
DWD-55	Hobart 240226 Hobart 240248-1 Wh. Service 4162047 Wh. Service 4163075



## ORDERING DATA

UNI-LINE ORDER NO.	OPERATING PRESSURE	INLET	OUTLET	VOLTS	HERZ	WATTS
DWD-50	Up to 18 Feet Head Pressure	3/4" ID Hose	5/8" ID Hose	120	50/60	30
DWD-51	Up to 18 Feet Head Pressure	3/4" ID Hose	5/8" ID Hose	120	50/60	30
DWD-55	0-7 PSI	11/16" ID Hose	5/8" ID Hose	120	60	28