

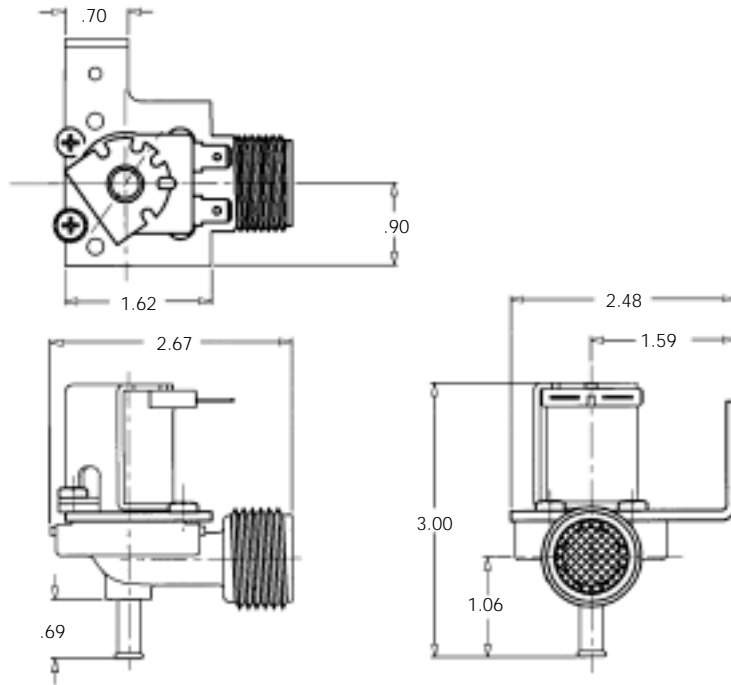
DISHWASHER VALVES

SPECIFICATIONS

S-30 Model specifications:

DW-311

This model is also used in Refrigerator/Freezer Icemakers and Commercial Ice Machines.



SPECIFICATIONS

S-45 Model specifications:

DW-25

DW-25A

This model was created for use primarily in automatic domestic dishwashers. It is also suitable for use in coffee makers/brewers, drinking fountains, ice cube machines, water softeners, etc. The DW-25 can be mounted using direct pipe support or a bracket. The fluted armature reduces the chance of jamming due to foreign materials.

Body Material: **Brass Forging**

Max Temp.: **160°F**

Flow Rate: **up to 5GPM**

Connections:

3/8" FNPT Inlet by

3/8" FNPT Outlet

Strainer: **30 x 30 Mesh**

