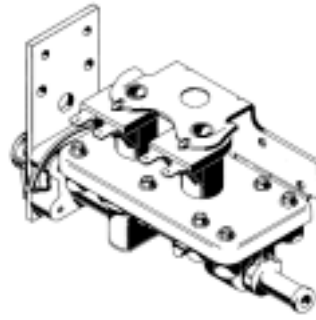


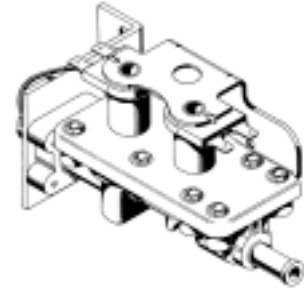
DISHWASHER VALVES

CROSS-REFERENCE

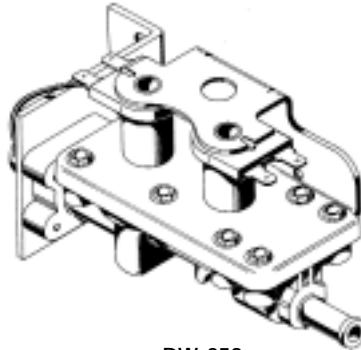
UNI-LINE ORDER NO.	REPLACES
DW-254	Hobart A-114786 Hobart C-115856 Hobart D-113646 Thermador 01-35-248
DW-256	Maytag 9-01298
DW-258	Maytag 9-00876
DW-311	Hobart A-106898 Hobart B-105792 Whirlpool 106898



DW-254



DW-256



DW-258



DW-311

SPECIFICATIONS

S-32 Model specification is for the following part:

DW-33

Designed for solidly plumbed hot or cold water applications that require remote electrical operation.

This model is also used in Commercial Ice Machines.

