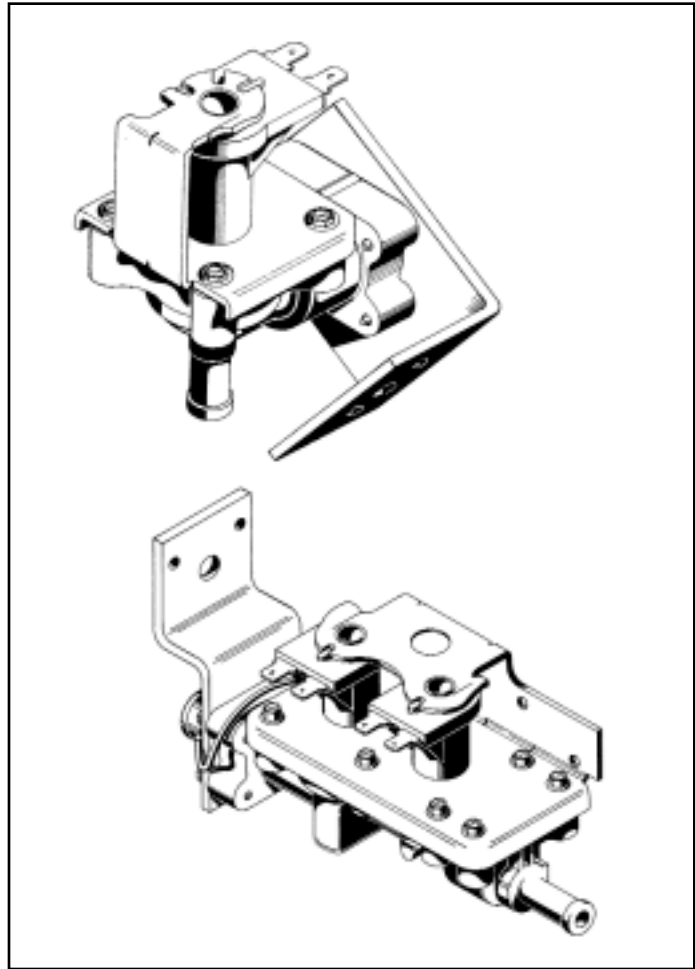


DISHWASHER VALVES

Robertshaw makes many different models of Dishwasher Valves which were created for use in dishwashers. These (solenoid) valves have a pilot-operated diaphragm that provides high flow capacity with minimum power requirements. The nylon encapsulated coil on these inlet valves provides high mechanical and di-electric strength, and is moisture resistant.

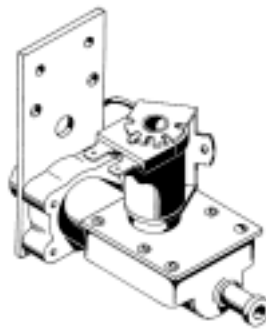
Robertshaw dishwasher valves have a unique diaphragm design which reduces the possibility of unwanted particles entering the armature area. The armature is designed with clearances which minimize the possibility of jamming due to foreign materials.

Robertshaw Dishwasher valves are available in nylon or polypro bodies which withstand water temperatures of up to 160°F. Dishwasher Inlet Valves operate at pressures between 20 PSI and 120 PSI. The ordering data in this section shows the different inlet and outlet configurations, electrical ratings, flow rates and other details about these valves.

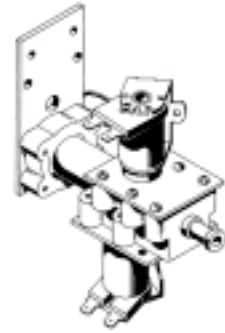


CROSS-REFERENCE

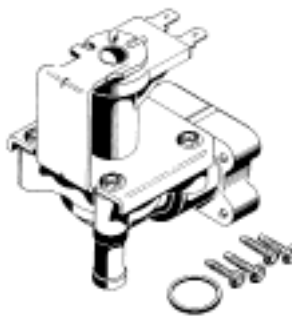
UNI-LINE ORDER NO.	REPLACES
DW-33	Frigidaire 503206979 Hobart C-106893-1 Hobart M-83975-1 Westinghouse 0848-A014-G17 Westinghouse C-098877 Westinghouse C-098882 Wh. Service 4160300 Wh. Service 4160766
DW-42	Hobart C-106877-1 Hobart M-101398-1 Hobart R-82973-1 Wh. Service 4170608
DW-53	Design & Man. 806900 Design & Man. 808338 Design & Man. 808467 Design & Man. 808556 Design & Man. 808668 Design & Man. 808960 Design & Man. 89439-1A Design & Man. 89439-3A Design & Man. 92320-1A
DW-54	Design & Man. 89439-2A



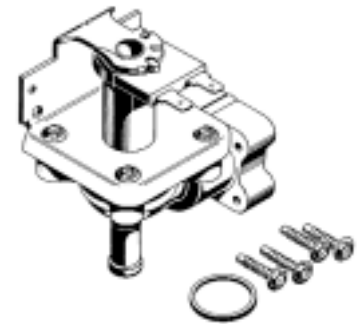
DW-33



DW-42



DW-53



DW-54