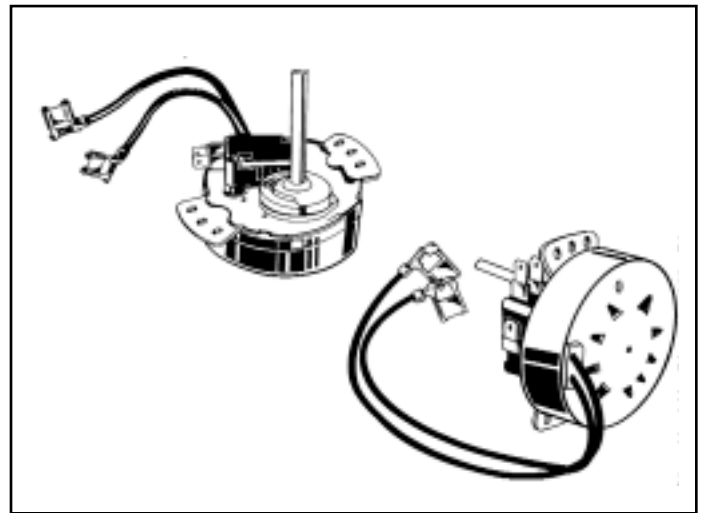


DEFROST TIMER MOTOR

The Robertshaw (formerly Eaton) CYT-420 Defrost Timer Motor was designed to control the freeze-harvest-defrost cycles of commercial ice machines. Total cycle time is 8.3 minutes with adjustable on/off time from 30 to 4 minutes. Adjustments are made using a cam locking screw. The cycle timer-motor is equipped with a single pole double throw snap switch which is rated at 10 amps, 1/2HP at 125/250 VAC. The switch terminals are 3/16" spade. The plastic shaft is 1/4" (6.3mm) in diameter and 1-1/2" long. Mounting is achieved using motor mounting ears. The leads are 7" long and have 1/4" quick connect terminals.

ORDERING DATA

UNI-LINE ORDER NO.	REPLACES
CYT-420	Scotsman 12-1980-01



DIMENSIONS

