

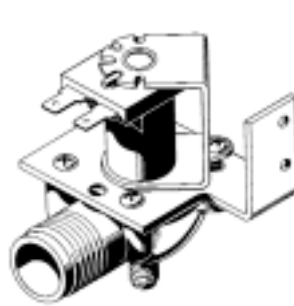
ICE MACHINE VALVES

IMV COMMERCIAL ICE MACHINE VALVES

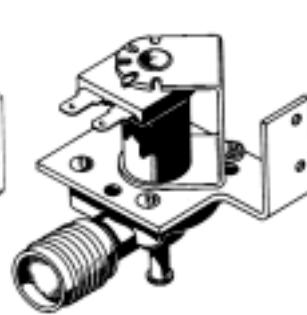
Robertshaw Commercial Ice Machine Valves are solenoid inlet valves with a pilot operated diaphragm that provides high-flow capacity with minimum power requirements. The moisture resistant nylon encapsulated coil provides high mechanical and di-electric strength.

CROSS-REFERENCE

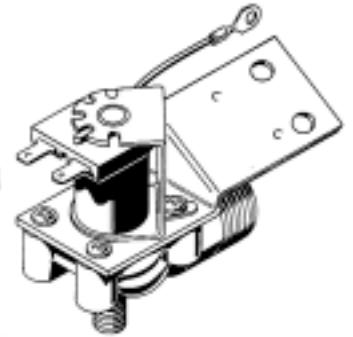
UNI-LINE ORDER NO.	REPLACES
IMV-436	U-Line 627461
IMV-437	U-Line 627459
IMV-438 (Replaces IMV-431)	Crystal Tips 80406303
IMV-471	Crystal Tips 80406301
IMV-475	U-Line 2555
IMV-4000	Scotsman Ice 12-1646-07
IMV-4001	Scotsman-Ice 12-1646-10
IMV-4003	Scotsman Ice 12-2261-01
IMV-4004	Scotsman Ice 12-2261-02
IMV-4005	Scotsman Ice 12-2261-03
IMV-4006	Uniflow GYY-00361-90
IMV-4007	Uniflow GBB-01375-90
IMV-4008	Uniflow GBB-01376-90-FF
IMV-4009	Scotsman Ice 12-1900-01



IMV-436



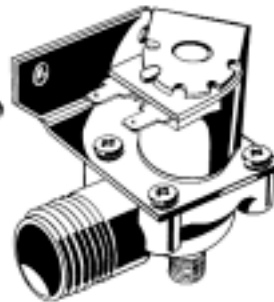
IMV-437



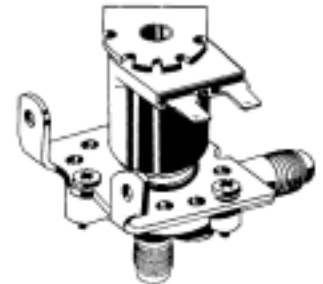
IMV-438



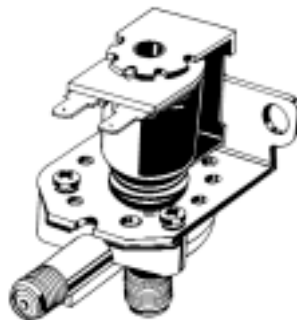
IMV-471



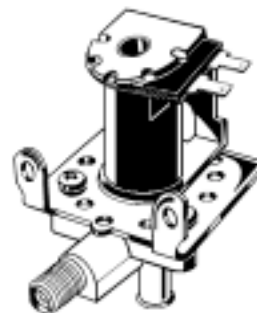
IMV-475



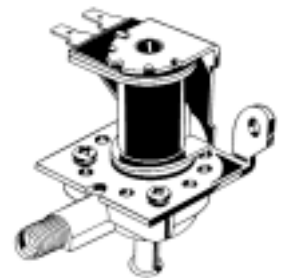
IMV-4000



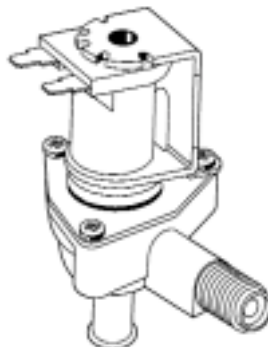
IMV-4001



IMV-4003
IMV-4004
IMV-4005



IMV-4006
IMV-4007
IMV-4008



IMV-4009