

ICE-SELECT SOLENOID

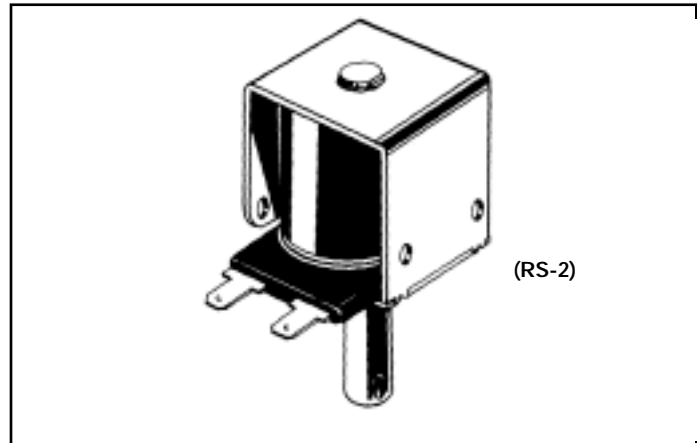
RS-2 ICE-SELECT SOLENOID

The Robertshaw (Formerly Eaton) Ice-Select Solenoid was designed for refrigerators with through-the-door water and ice. When whole ice-cubes are called for, this solenoid disengages the ice-crushing mechanism.

The solenoid coil has a thermoplastic enclosure for inherent long life. The RS-2 is rated at 120V, 60Hz, 60W.

ORDERING DATA

UNI-LINE ORDER NO.	REPLACES
RS-2	General Electric 203C-3246-G01 GE Service WR62X0058



DIMENSIONS

