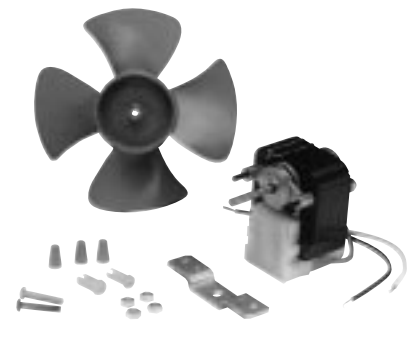
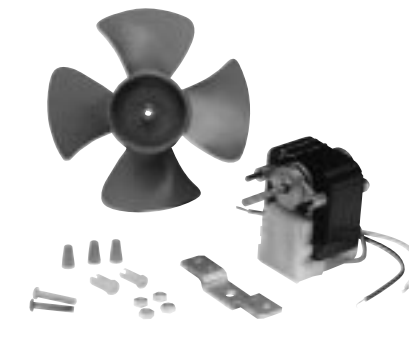
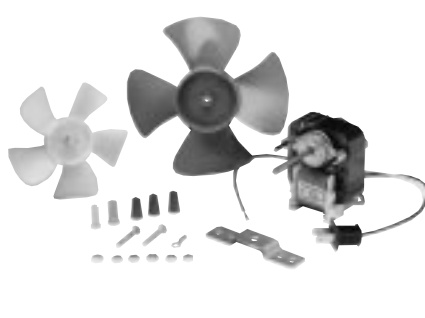


## DUAL VOLTAGE UNI-KITS

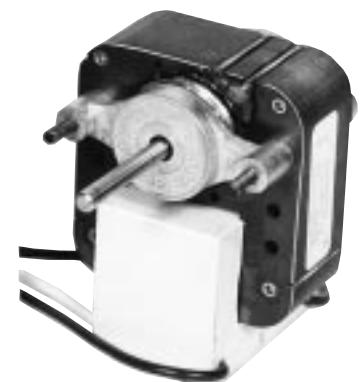
 <p><b>33-970</b> 3/16" diameter shaft, 1-1/8" stack.</p>	 <p><b>33-971</b> 3/16" diameter shaft, 7/8" stack.</p>	 <p><b>33-972</b> 3/16" diameter shaft, 5/8" stack.</p>
--	---	--

### ORDERING DATA

UNI-LINE ORDER NO.	VOLTAGE	AMPS	SHAFT SIZE	STACK SIZE	RPM NORMAL LOAD	FAN BLADES INCLUDED
33-970*	120/240	1.1/.55	3/16"	1-1/8"	3000	5-1/2"
33-971*		.50/.25		7/8"		4" & 5-1/2"
33-972*		.4/.2		5/8"		4" & 5-1/2"

\* Uni-Kit mounting hardware included.

## TWO SPEED REVERSIBLE 120V

 <p><b>33-673</b> Two speed, 120V, 50/60 Hz, 5/8" stack.</p>	 <p><b>33-681</b> ✓ Two speed, 120V, 50/60 Hz, 5/8" stack.</p>	 <p><b>33-682</b> Two speed, 120V, 50/60 Hz, 1" stack.</p>
---	--	---

✓ Obsolete - Available to stock on hand.

### ORDERING DATA

UNI-LINE ORDER NUMBER	AMPS	SHAFT SIZE	STACK SIZE	RPM NOTMAL LOAD	FAN BLADES INCLUDED
33-673*	.8	3/16"	5/8"	3000	4" & 5-1/2"
33-681*			5/8"		
33-682*			1"		

\* Uni-Kit mounting hardware included.