

MOTORS

UTILITY MOTOR UNI-KITS

The Robertshaw Utility Motor Uni-Kits® are designed to replace the majority of 3-1/2" round style or C-frame motors encountered in everyday service work. Uni-Kits provide a service technician with the necessary parts to replace as many variations as possible while being fast and easy to install. Uni-Kits are available in single speed or two-speed models (see ordering charts), and are mechanically reversible with impedance protection.

ORDERING DATA

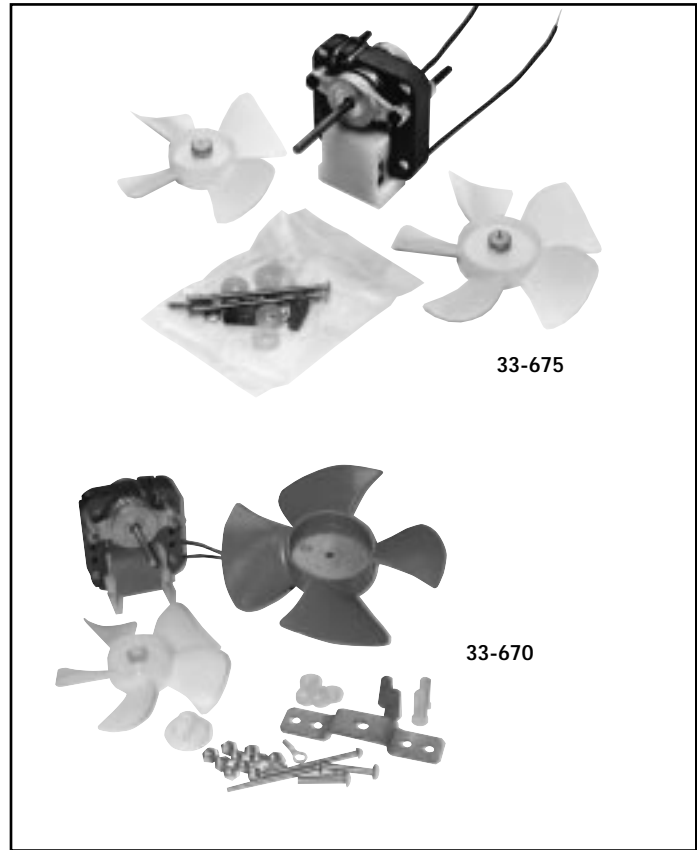
| UNI-LINE ORDER NO. | AMPS | SHAFT SIZE | NORMAL LOAD | RPM FAN BLADES INCLUDED |
|--------------------|------|------------|-------------|-------------------------|
| 33-675* | .22 | 3/16" | 3000 | 3-1/2" & 4" |
| 33-670* | .45 | | | 4" & 5-1/2" |

* Uni-Kit mounting hardware included.

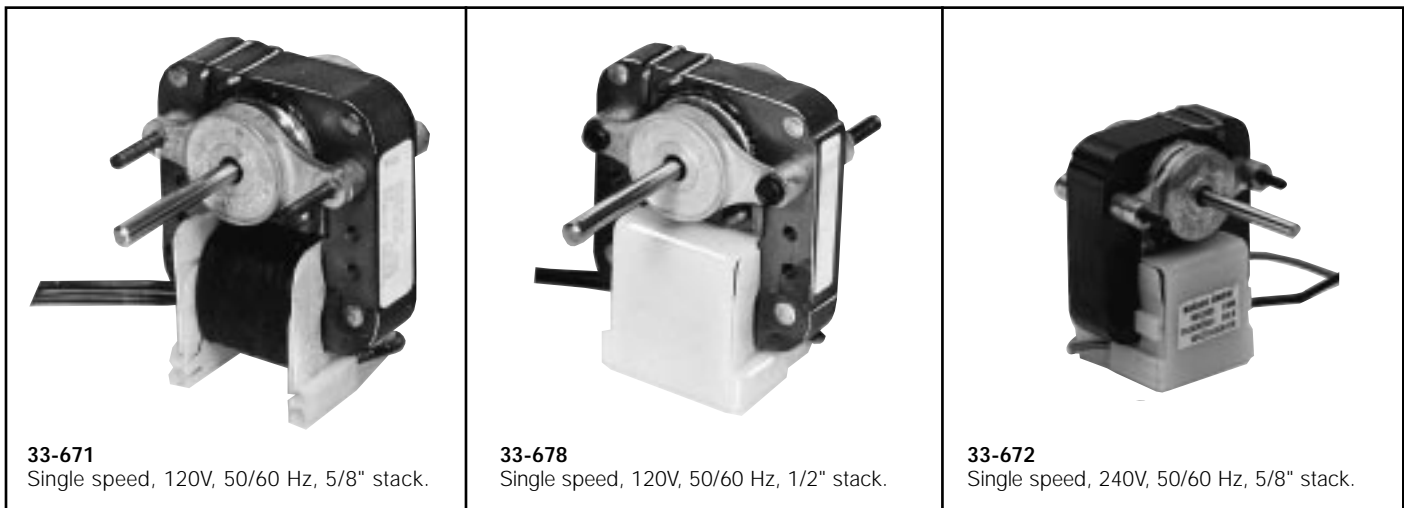
ORDERING DATA

| UNI-LINE ORDER NO. | VOLTAGE | AMPS | SHAFT SIZE | RPM NORMAL LOAD | FAN BLADES INCLUDED |
|--------------------|---------|------|------------|-----------------|---------------------|
| 33-671 | 120 | .45 | 3/16" | 3000 | NONE |
| 33-678 | 120 | .22 | 3/16" | 3000 | NONE |
| 33-672* | 240 | .22 | 3/16" | 3000 | 4" & 5-1/2" |

* Mounting hardware included.



SINGLE SPEED REVERSIBLE 120V AND 240V UTILITY MOTORS



33-671
Single speed, 120V, 50/60 Hz, 5/8" stack.

33-678
Single speed, 120V, 50/60 Hz, 1/2" stack.

33-672
Single speed, 240V, 50/60 Hz, 5/8" stack.