

33-914 UNI-FIT™ 3/16" SHAFT EVAPORATOR FAN MOTOR KIT

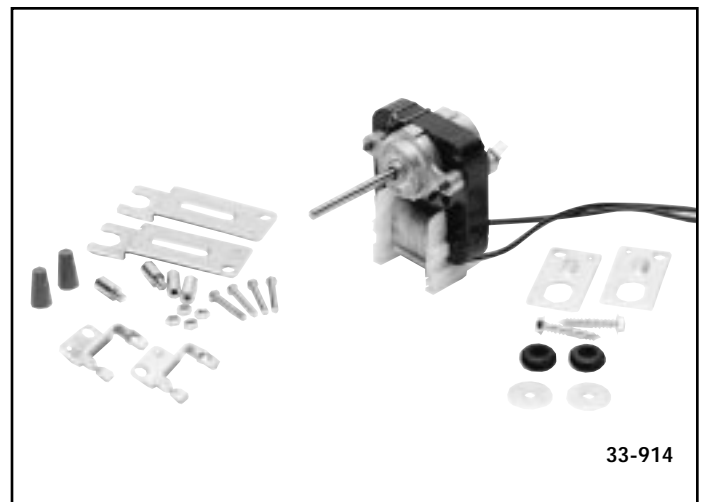
This new design kit will replace virtually all 3/16" and hub shaft models in use today. Kit has a new design bearing/oil reservoir for longer service life. Motor available in bulk – keep all your unused parts for use later.

Kit contains:

- 2 post mounts
- 4 pin mounts
- 4 Phillips screws
- 4 hex nuts
- 2 grommets
- 2 washers
- 2 mounting screws
- 4 slide brackets
- 3 sets of side mounting brackets
- 2 wire connectors
- 1 fan hub

ORDERING DATA

UNI-LINE ORDER NO.	DESCRIPTION
UNI-FIT KITS	
33-914	3/16" SHAFT UNI-FIT MOTOR
MOTOR ONLY	
33-924	MOTOR ONLY - INDIVIDUALLY BOXED



33-914

REPLACES THESE POPULAR O.E.M. MODELS AND MORE!



33-301
FRIGIDAIRE



33-323
WHIRLPOOL
PHILCO



33-329
WHIRLPOOL



33-334
ADMIRAL

CROSS REFERENCE

O.E.M. NUMBER	UNI-LINE ORDER NO.	O.E.M. NUMBER	UNI-LINE ORDER NO.	O.E.M. NUMBER	UNI-LINE ORDER NO.	O.E.M. NUMBER	UNI-LINE ORDER NO.	O.E.M. NUMBER	UNI-LINE ORDER NO.	O.E.M. NUMBER	UNI-LINE ORDER NO.
GIBSON (Cont'd)		KELVINATOR		MARS (Cont'd)		UNI-LINE (Cont'd)		WESTWARD (Cont'd)			
G104076	33-912	K1159624	33-912	90905	33-912	33-313	33-912	12007	33-912		
G104372	33-912	K1159782	33-912	90911	33-912	33-317	33-912	12009	33-914		
G109216	33-912	K1159808	33-912	90912	33-914	33-323	33-914	12011	33-912		
G110968	33-912	K1166476	33-912	90913	33-912	33-329	33-914	12013	33-912		
G127816	33-912	K1166681	33-912	90917	33-912	33-334	33-914	12023	33-914		
G134639	33-912	K1166971	33-912	90928	33-914	33-336	33-912	12025	33-914		
G137417	33-912	K1167246	33-912	90929	33-914	33-337	33-914	12033	33-914		
G139044	33-912	K1202158	33-912	90951	33-914	33-338	33-912	12037	33-912		
G139046	33-912	K1202159	33-912			33-342	33-914	12039	33-914		
G143259	33-912	K1204665	33-912	PHILCO							
G146620	33-912	K1204667	33-912	5104-050-1	33-914	WESTINGHOUSE		WHIRLPOOL			
G152646	33-912	K1205028	33-912	5104-050-10	33-914	C28548	33-912	482470	33-914		
G158289	33-912	K1206352	33-912	5104-050-13	33-912	C289296	33-912	482731	33-914		
G163865	33-912	K1206353	33-912	5104-050-15	33-912	C289298	33-912	548144	33-914		
G98291	33-912	K1206354	33-912	5104-050-16	33-912	C289448	33-912	548262	33-914		
K1230532	33-912	K1206452	33-912	5104-050-17	33-912	C460277	33-914	548697	33-914		
		K1206453	33-912	5104-050-21	33-912	C460411	33-914	549098	33-914		
		K1208099	33-912	5104-050-3	33-914	C460878	33-914	549212	33-914		
JOHNSTONE		K1209560	33-912	5104-050-4	33-914	C48400	33-912	549420	33-914		
S58-301	33-914	K1220352	33-912	5104-050-6	33-912	C48401	33-912	831462	33-914		
S58-304	33-914	K1222931	33-912	5104-050-7	33-912	C48507	33-912	831744	33-914		
S58-311	33-912	K1222932	33-912	5104-056-1	33-912	C48579	33-912	833768	33-914		
S58-312	33-914	K1226505	33-912	5104-056-2	33-912	C48580	33-912	850144	33-914		
S58-313	33-912	K1226507	33-912	5104-059-1	33-914	C48581	33-912	851170	33-914		
S58-317	33-912	K1227015	33-912	5104-063-1	33-914	C62773	33-914	867004	33-914		
S58-318	33-912	K1227017	33-912			C712838	33-912	867077	33-914		
S58-328	33-914	K1228883	33-912	UNI-LINE		C715414	33-912	978212	33-914		
S58-329	33-914	K1230532	33-912	33-301	33-914			987369	33-914		
S58-334	33-914			33-304	33-914	WESTWARD					
S58-336	33-912			33-305	33-912	12001	33-914				
S58-438	33-914			33-311	33-912	12003	33-914				
				33-312	33-914	12005	33-912				