

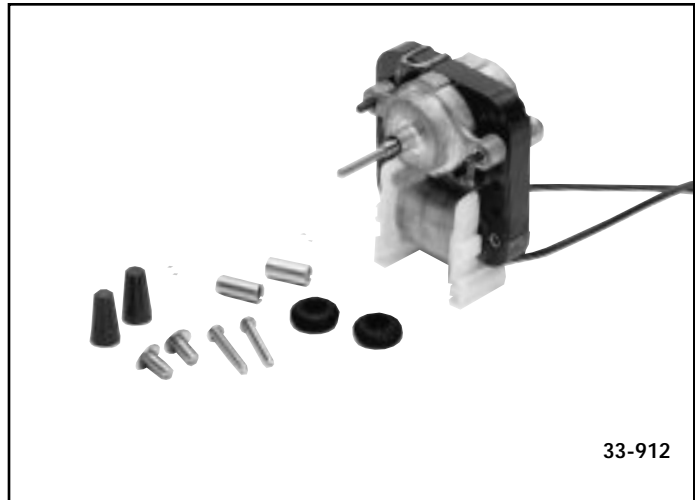
MOTORS

33-912 UNI-FIT™ 1/8" SHAFT EVAPORATOR FAN MOTOR KIT

This new design kit will replace virtually all 1/8" shaft models in use today. Kit has a new design bearing/oil reservoir and 3/16" bearings with a step down to 1/8" shaft for longer service life. Motor available in bulk—keep all your unused parts for use later.

Kit contains:

- 2 post mounts
- 2 tongue mounts
- 2 grommets
- 2 wire connectors
- 2 Phillips screws
- 2 slotted screws
- 2 hex nuts



33-912

ORDERING DATA

UNI-LINE ORDER NO.	DESCRIPTION
UNI-FIT KITS	
33-912	1/8" SHAFT UNI-FIT MOTOR
MOTOR ONLY	
33-922	MOTOR ONLY - INDIVIDUALLY BOXED

REPLACES THESE POPULAR O.E.M. MODELS AND MORE!



CROSS REFERENCE

O.E.M. NUMBER	UNI-LINE ORDER NO.	O.E.M. NUMBER	UNI-LINE ORDER NO.	O.E.M. NUMBER	UNI-LINE ORDER NO.	O.E.M. NUMBER	UNI-LINE ORDER NO.	O.E.M. NUMBER	UNI-LINE ORDER NO.	O.E.M. NUMBER	UNI-LINE ORDER NO.
ADMIRAL		ADMIRAL (Cont'd)		AMANA (Cont'd)		FRIGIDAIRE (Cont'd)		GE/HOTPOINT (Cont'd)		GE/HOTPOINT (Cont'd)	
23265	33-914	RA43990-1	33-914	D71157-2	33-912	627283	33-914	WR60X122	33-912	WR60X71	33-912
23464	33-914	RA95052-1	33-914	D71157-3	33-912	627879	33-914	WR60X125	33-912	WR60X74	33-912
24401	33-914	AMANA		D71157-4	33-912	628524	33-914	WR60X127	33-912	WR60X82	33-912
26999	33-914	B4850-1	33-912	D71157-6	33-912	629965	33-914	WR60X129	33-912	WR60X84	33-912
27779	33-914	B4850-2	33-912	D72414-12	33-912	6540267	33-914	WR60X130	33-912	WR60X85	33-912
27842	33-914	B5546-1	33-912	D72414-9	33-912	6540268	33-914	WR60X131	33-912	WR60X88	33-912
27842	33-914	B5546-4	33-912	D72562-1	33-912	6582708	33-914	WR60X132	33-912	WR60X96	33-912
28512	33-914	B5614-1	33-912	D72562-2	33-912	6583827	33-914	WR60X160	33-912		
28513	33-914	B5640-1	33-912	D72562-3	33-912	6584668	33-914	WR60X162	33-912	GEMLINE	
28515	33-912	C25759-9	33-912	M3020-1	33-914	6598499	33-914	WR60X163	33-912	EM-301	33-914
29708-1	33-914	C303599	33-914	M3020-2	33-914	6598501	33-914	WR60X168	33-912	EM-304	33-914
53000-1	33-914	C35363-1	33-914	M3035-1	33-914	6598503	33-914	WR60X171	33-912	EM-305	33-912
53001-1	33-914	C35363-7	33-914	M3035-2	33-914	7512280	33-914	WR60X5005	33-912	EM-306	33-914
53003-1	33-914	C35656-1	33-914	M3035-4	33-914	7514087	33-914	WR60X5011	33-912	EM-311	33-912
54482-1	33-914	C35656-5	33-914	M3076-1	33-914	7515415	33-914	WR60X5012	33-914	EM-312	33-914
54482-10	33-914	C35759-10	33-914	R0151002	33-912	7517873	33-914	WR60X5016	33-912	EM-313	33-912
54482-11	33-914	C35759-2	33-914	R0157068	33-912	8000036	33-912	WR60X5020	33-912	EM-317	33-912
54482-2	33-914	C35759-5	33-914	R0157087	33-912	8004176	33-912	WR60X5021	33-912	EM-321	33-914
54482-3	33-914	C35759-6	33-914	R1570-68	33-912			WR60X5022	33-912	EM-322	33-914
54482-4	33-914	C35759-7	33-914	R1570-87	33-912	GE/HOTPOINT		WR60X5023	33-912	EM-323	33-914
54482-5	33-914	C36806-1	33-914			WR49X5039	33-914	WR60X5035	33-912	EM-324	33-914
54482-7	33-914	C36806-2	33-914	FRANKLIN MFG. CO.		WR49X5040	33-914	WR60X5046	33-912	EM-328	33-914
54482-8	33-914	C36811-1	33-912	F116267	33-914	WR49X5082	33-912	WR60X5047	33-912	EM-329	33-914
54482-9	33-914	C36840-1	33-914	F82388	33-912	WR60X100	33-912	WR60X5048	33-914	EM-334	33-914
55394-1	33-914	C36893-1	33-912	F88130	33-914	WR60X104	33-912	WR60X5049	33-912	EM-336	33-912
55394-2	33-914	C36893-2	33-912	F88162	33-914	WR60X105	33-912	WR60X5060	33-912	EM-337	33-914
55394-3	33-914	C36893-3	33-912	F96740	33-914	WR60X108	33-912	WR60X52	33-912	EM-339	33-912
55394-4	33-914	C36901-1	33-912			WR60X112	33-912	WR60X60	33-912	EM-338	33-912
55394-5	33-914	C36901-2	33-912	FRIGIDAIRE		WR60X116	33-912	WR60X65	33-912		
55394-6	33-914	C36901-3	33-912	1135914	33-914	WR60X118	33-912			GIBSON	
55394-7	33-914	C36901-3	33-912	5903130	33-912	WR60X119	33-912			G101493	33-912
55394-8	33-914	C87131	33-914			WR60X120	33-912				
55394-8	33-914	C87131-1	33-914								
56488-3	33-914	D71157-1	33-912								
56488-4	33-914										