

DEFROST TIMERS

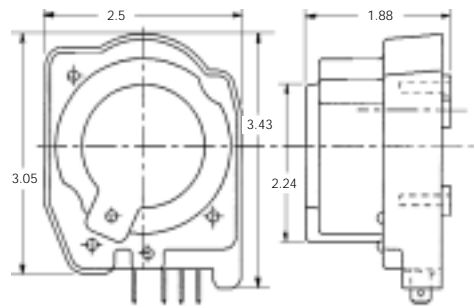
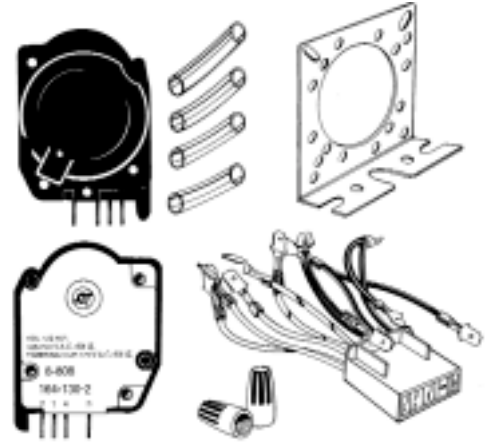
The Robertshaw (formerly Eaton) Series 8-800 Defrost Timers are designed to control the defrost cycle of a refrigerator or freezer. Their low cost features together with long life reliability meet virtually every refrigerator/freezer defrost time cycle requirement.

A heat-resistant, thermoplastic cover protects the synchronous motor from dust, dirt and acts as a sound isolator. A visual indicator and one way clutch afford simple inspection and adjustment.

Timers are available in 6, 8 or 12 hour cycles. The defrost period can be 12 to 32 minutes, depending on total cycle time. Ambient operating temperature range for the timer is -7°C (+20°F) to 66°C (150°F).

With the exception of the 8-804, the timers function as a clock, running continuously, and initiating defrost at regular intervals. With the 8-804, the compressor circuit is opened after a given amount of compressor running time is accumulated. The heater (defrost) circuit is then closed for the desired time period.

Electrical connections are 1/4" quick connect terminals. The switch being used is single pole, double throw for hot gas or electric heater-type defrosting. It is rated at 15 amps, 1/2 HP and 12/250 VAC, 50-60 Hz.



CROSS-REFERENCE

UNI-LINE ORDER NO.	REPLACES	UNI-LINE ORDER NO.	REPLACES
8-801	Amana C35655-2	8-805	GE Service WR9X210
	Franklin F87640		GE Service WR9X225
	Frigidaire 5306585705		GE Service WR9X290
	Frigidaire 5309952268		GE Service WR9X295
	Frigidaire 6585705		GE Service WR9X315
	Frigidaire 9952268	8-806	Amana D70041-6
	GE Service WR9X293		Frigidaire 5308003824
	GE Service WR9X388		GE Service WR9X354
	GE Service WR9X396		GE Service WR9X363
	GE Service WR9X441		GE Service WR9X370
8-802	Admiral 23103-2	GE Service WR9X438	
	Admiral 24399-1	Westinghouse C460413	
	Admiral 26308-2	Westinghouse R422503	
	Maycor RA-43869-1	8-807	Frigidaire 5300900072
	Whirlpool 4210579		Westinghouse R900072
Whirlpool 482493*	8-808	Admiral 26250-1	
* Substitutes for all 8, 12 and 24 hour Whirlpool timers. Use 8-802 for all 24 hour timers.		Admiral 27039-5	
8-803		Amana C39321-3	Admiral 54113-4
		Amana D70041-4	Frigidaire 5300148779
		Franklin F110409	Frigidaire 5300186907
		GE Service WR9X354	Frigidaire 5303007400
		GE Service WR9X365	Frigidaire 5308000035
		GE Service WR9X387	Frigidaire 5308006992
		GE Service WR9X419	Frigidaire 8000035
		GE Service WR9X439	Frigidaire 8006992
		Westinghouse C62797	GE Service WR9X330
		8-804	Frigidaire 5300628518
Frigidaire 5303203657	GE Service WR9X480		
Frigidaire 5308037967	Gibson G135533		
Frigidaire 620524	Gibson G148779		
Frigidaire 628515	Gibson G158291		
Frigidaire 628518	Kelvinator K1224662		
Frigidaire 8000559	Kelvinator K1227229		
Kelvinator K1224661	Kelvinator K1230354		
Kelvinator K1226501	Maycor RA-43807-1		
Kelvinator K1228104			
Kelvinator K1228501			
Westinghouse M1090167			
Westinghouse R900241			
Whirlpool 1114283			
Whirlpool 482493 *			
* Substitutes for all 8, 12 and 24 hour Whirlpool timers. Use 8-804 for all 8 and 12 hour timers.			