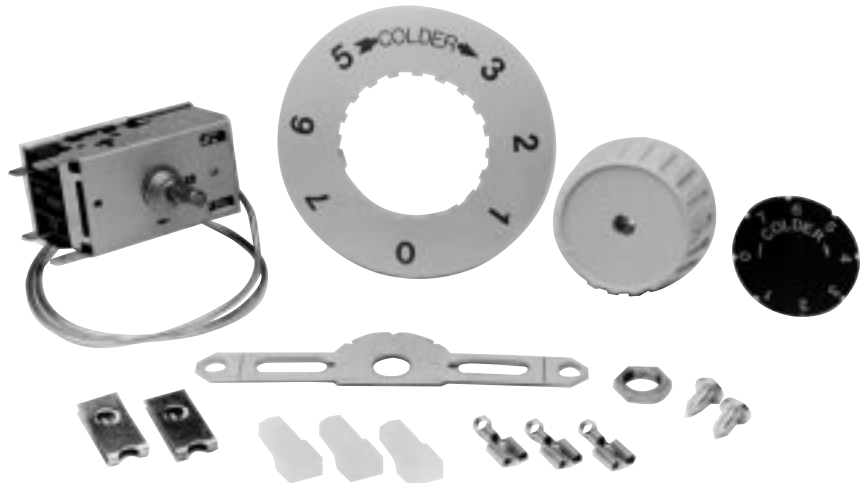


# COLD CONTROLS CANADIAN MODELS

## VaAifix RANCO SERVICE REPLACEMENT THERMOSTAT

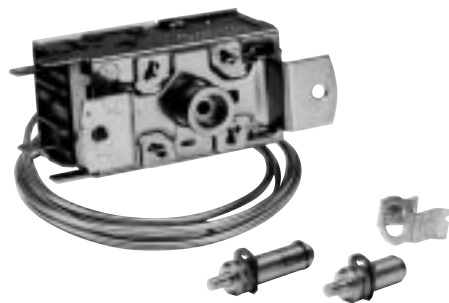


VARIFIX VB-11

### ORDERING DATA

UNI-LINE ORDER NO.	REFERENCE NO.	TEMP °C		CAPILLARY LENGTH (MM)	APPLICATION
		N.I.	N.O.		
VC1	AC1	-5	-14.5	1200	REFRIGERATOR / MANUAL DEFROST
VA2	AA2	-0.5	-4.5	2000	ELECTRIC ABSORPTION R.V. REFRIGERATOR
VF3	AF3	-16	-24	2000	FREEZER AND ICE CREAM CABINET
VP4	AP4	-9.4	-17	1200	REFRIGERATOR / PUSH BUTTON DEFROST
VS5	AS5	-16.5	-24	2000	FREEZER / SIGNAL MAKE ON RISE
VR6	AR6	-16.5	-24	2000	FREEZER / SIGNAL BREAK ON RISE
VB7	AB7	7	3	1200	BOTTLE OR BEVERAGE COOLER AND FROST FREE REFRIGERATOR
VW8	AW8	29.6	26	1200	WINDOW A.C.
VT9	AT9	33.5	-18.5	1200	REFRIGERATOR AUTO DEFROST
VB11	AB11	7	3	400	BOTTLE OR BEVERAGE COOLER AND FROST FREE REFRIGERATOR
VC12	AC12	-5	-14.5	400	REFRIGERATOR / MANUAL DEFROST

## RANCO K300 COLD CONTROL KITS



K-315

### ORDERING DATA

UNI-LINE ORDER NO.	TEMP °C		CAPILLARY LENGTH (MM)	REFERENCE NO.
	N.I.	N.O.		
K-302	-14.4	23.3	890	DR150
K-303	5.8	-17.8	710	DR119
K-311	1	-8.3	700	DR311
K-312	1	-2.2	495	DR312
K-314	5.3	1.4	800	DR314
K-315	3	-22	890	DR315