

# TEMPORARY COLD CONTROL

The CC-1 Temporary Cold Control was designed to service either refrigerator-freezers or stand-alone freezers. It will adjust to the temperature range of either appliance. This means you can avoid the cost and trouble of carrying two different units.

The Temporary Cold Control comes complete with knob, dial plate, mounting suction cups, and terminals. When the need arises, it is a simple task to connect, position and set it. Once installed, it will efficiently control refrigeration temperature until the exact control is available. Any temperature adjustments can be made just as with the original control. The service technician can then return with the permanent replacement when it's convenient to the customer.

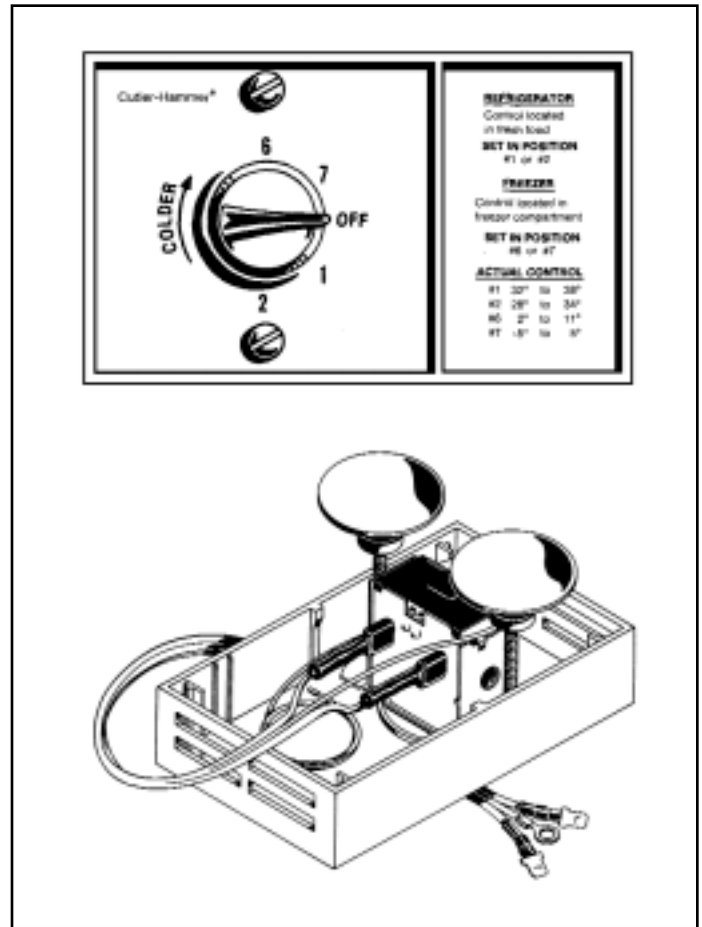
## ORDERING DATA

UNI-LINE ORDER NO.	REPLACES
CC-1	Cutler-Hammer 9530N1147

## SPECIFICATIONS

TEMPORARY COLD CONTROL		
Range = -5 to +38		
	Cutout	Cutin
Cold	-5	+5
Normal	N/A	N/A
Warm	+32	+38

Capillary Length = 9"



## DIMENSIONS

