

## 3030-600 SERIES CONSTANT DIFFERENTIAL UNI-KITS® FOR FREEZERS

The 3030-600 Series Uni-Kits are identical to the 3030-500 Series except they have capillary lengths and temperature ranges suited for freezer applications. These Uni-Kits feature a constant differential between the cut-in and cut-out temperatures. Turning the dial changes the operating temperatures but the differential remains the same. Designed specifically for replacement of controls used in "frostless" freezers as well as standard U-type evaporator models.

The 3030-600 Series Uni-Kits are available in a wide selection of temperature ranges and capillary lengths to fit virtually every replacement application. Uni-Kits include all necessary adaptor mounting brackets, dial shaft adaptors, dial drivers, mounting screws and installation instructions.

### FEATURES

- Individually boxed in a strong corrugated carton for extra protection from damage during handling or shipping.
- Complete label information – O.E.M. name and O.E.M. part numbers for handy reference.
- Detailed instructions for trouble-free installation.
- U.L. and C.S.A. listed.

## RANCO

### K-600 SERIES CONSTANT DIFFERENTIAL FREEZER CONTROLS

The K-600 Series Uni-Kits are identical to the K-500 Series except they have capillary lengths and temperature ranges suited for freezer applications. They feature a constant differential between the cut-in and cut-out temperatures. Turning the dial changes the operating temperatures but the differential remains the same. Designed specifically for replacement on controls used in "frostless" freezers as well as standard U-type evaporator models.

The K-600 Series are available in a wide selection of temperature ranges and capillary lengths to fit virtually every replacement application. Includes all necessary adaptor mounting brackets, dial shaft adaptors, dial drivers, mounting screws and installation instructions.

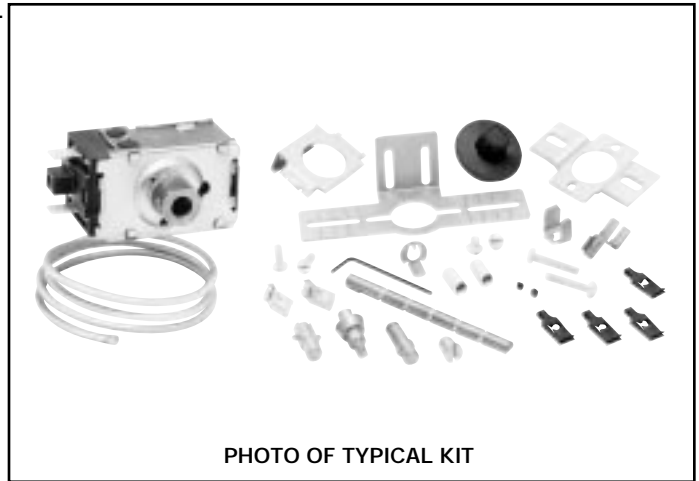
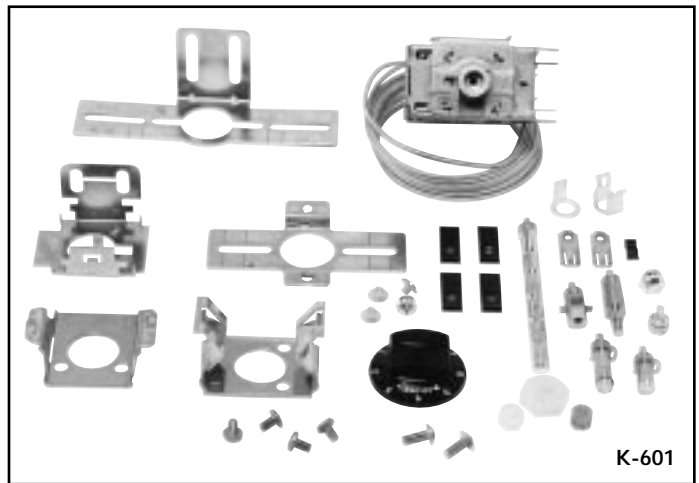


PHOTO OF TYPICAL KIT



K-601

### ORDERING DATA

UNI-LINE ORDER NO.	NORMAL		DIFF (°F)	WARM ON (°F)	COLD OFF (°F)	CAPILLARY LENGTH
	OFF (°F)	ON (°F)				
3030-601	-5	4	9	22	-29	78"
3030-602	-13	0	13	12	-30	78"
3030-604	-12	6	18	20	-34	36"
K-605	-7	19	26	31	-23	79"
3030-606	-5	15	20	27.5	-25	48"
3030-607	-8	1	9	13	-23	31"

### ORDERING DATA (CONTINUED)

UNI-LINE ORDER NO.	NORMAL		DIFF (°F)	WARM ON (°F)	COLD OFF (°F)	CAPILLARY LENGTH
	OFF (°F)	ON (°F)				
K-607	-2	6	8	22	-23	24"
3030-608	-10	4	18	18.5	-30	31"
K-608	-6	8	14	23	-23	48"
3030-609	-7	9	16	23	-26	24"
K-609	-7	9	16	26	-26	24"
3030-610	-7	4.5	11.5	19	-26	95"
K-610	-2	6	8	22	-23	48"

## 3012 (RD) REFRIGERATOR DAMPER

The 3012 Series (RD) refrigerator damper is used on both side-by-side and top and bottom refrigerator freezers. The damper position modulates with temperature to regulate the amount of cold air flowing from the freezer into the refrigerator area thus maintaining the selected temperature.

### ORDERING DATA

UNI-LINE ORDER NO.	FACTORY NUMBER	DRIVER POSITION	TEMP. SETTING (°F)	DRIVE TYPE	CAPILLARY O.D. & LENGTH	EXACT REPLACEMENT
3012-003✓	RD12-2025	COLD	10	SIDE	1-1/4" X 14"	AMANA D75474-1
		NORMAL	17			
		WARM	24			

✓ Obsolete - available to stock on hand.

