

Robertshaw® **RANCO** COLD CONTROLS

3030-500 SERIES CONSTANT DIFFERENTIAL UNI-KITS® FOR REFRIGERATORS

The 3030-500 Series Uni-Kits feature a constant differential between the cut-in and cut-out temperatures. Turning the dial changes the operating temperature but the differential remains the same. Designed specifically for replacement of controls used in "frostless" refrigerators as well as standard U-type evaporator models.

The 3030-500 Series Uni-Kits are available in a wide selection of temperature ranges and capillary lengths to fit virtually every replacement application. Uni-Kits include all necessary adaptor mounting brackets, dial shaft adaptors, dial drivers, mounting screws and installation instructions.

FEATURES

- Individually boxed in a strong corrugated carton for extra protection from damage during handling or shipping.
- Complete label information – O.E.M. name and O.E.M. part numbers for handy reference.
- Detailed instructions for trouble-free installation.
- U.L. and C.S.A. listed.

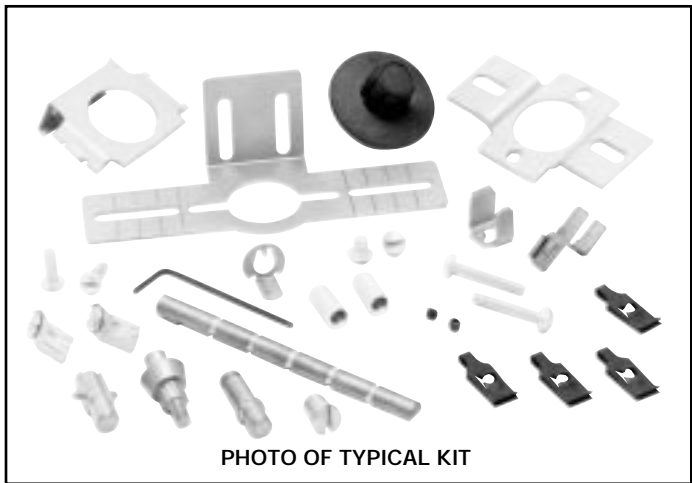


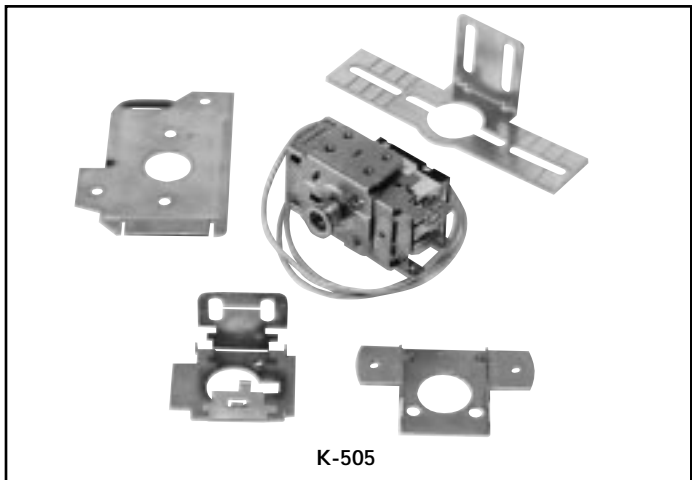
PHOTO OF TYPICAL KIT

RANCO

K-500 SERIES CONSTANT DIFFERENTIAL REFRIGERATOR CONTROLS

The K-500 Series feature a constant differential between the cut-in and cut-out temperatures. Turning the dial changes the operating temperature but the differential remains the same. Designed specifically for replacement of controls used in "frostless" refrigerators as well as standard U-type evaporator models.

The K-500 Series are available in a wide selection of temperature ranges and capillary lengths to fit virtually every replacement application. Includes all necessary adaptor mounting brackets, dial shaft adaptors, dial drivers, mounting screws and installation instructions.



K-505

ORDERING DATA

UNI-LINE ORDER NO.	NORMAL		DIFF (°F)	WARM ON (°F)	COLD OFF (°F)	CAPILLARY LENGTH
	OFF (°F)	ON (°F)				
3030-501	9	20	11	38	-16	42"
K-501✓	14	26	12	43	-5	48"
K-502	15	27	12	45	-5	79"
3030-503	9	26	17	42.5	-16	42"
3030-504	5	29	24	49	-16	48"
3030-505	31	36	5	49	16	24"
K-505	30	36	6	47	18	24"
3030-506	18	31	13	48.5	-7	24"
K-506	17	28	11	52	-9	24"
3030-507	-4	16	20	32	-23	24"
3030-508	2	30	28	40	-16	24"
3030-509	-1	13	15	29	-19	24"
K-511	12	29	17	44	-4	79"

✓ Obsolete – available to stock on hand.

RANCO US1 UNIVERSAL SERVICE REFRIGERATOR CONTROL

The US1 is the original temporary cold control. It allows you to put an old or new refrigerator back in service when you do not have an exact replacement with you. It comes equipped with two suction cups, and 12" leads with quick-connect terminals, Air Coil Sensing.

ORDERING DATA

ORDER NUMBER	SWITCH ACTION	DIAL RANGE (°F)	DIFF (°F)	FACTORY SETTINGS - (°F)					
				COLD		NORMAL		WARM	
				OUT	IN	OUT	IN	OUT	IN
US1-1000	SPST	27 to 53	6	27	-	33	39	-	53

