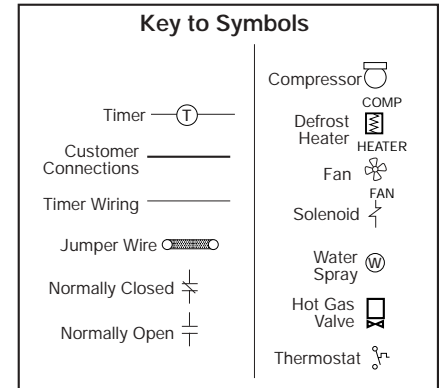
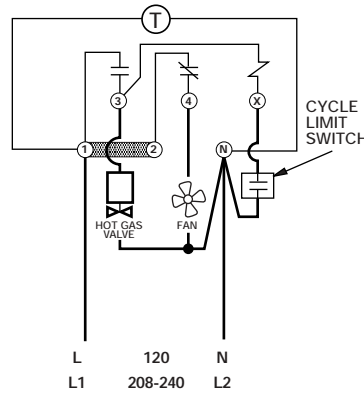
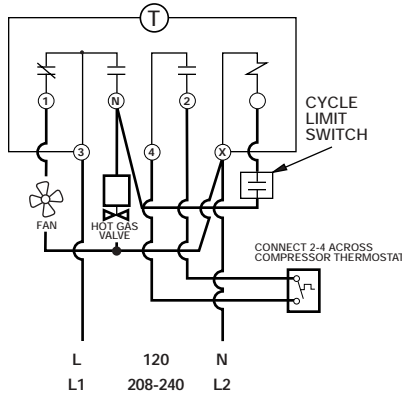


# COMMERCIAL REFRIGERATION DEFROST CONTROLS

## WIRING DIAGRAMS FOR 8140 SERIES HOT GAS DEFROSTING

MODELS 8143-00 AND 8143-20

MODELS 8145-00, 8145-20 AND E357-00



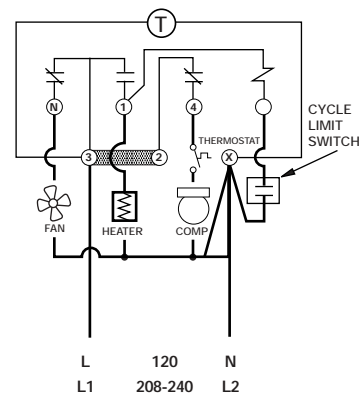
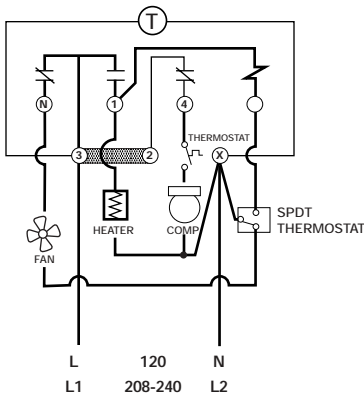
Wiring using 120V or 240V single phase line hot gas solenoid valve voltage common to timer. Refrigeration Cycle: Fan ON, hot gas solenoid valve closed, compressor ON. Defrost Cycle: Fan OFF, hot gas solenoid valve open, compressor ON.

Wiring using 120V or 240V single phase line with compressor thermostat closed during defrost.

## ELECTRIC HEAT DEFROSTING

MODELS 8141-00 AND 8141-20

MODELS 8141-00 AND 8141-20

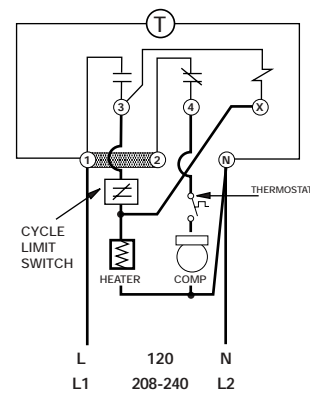
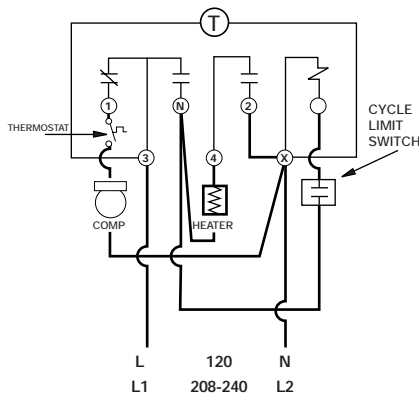


Wiring using differential of SPDT thermostat to delay fan after defrosting.

Wiring using 120V or 240V single phase line with auxiliary fan circuit.

MODELS 8143-00 AND 8143-20

MODELS 8145-00 AND 8145-20



Wiring using 240V single phase line breaking both sides of heater circuit.

Normally closed thermostat used with defrost heater. Wiring using 120V or 240V single phase line compressor voltage common to timer.